



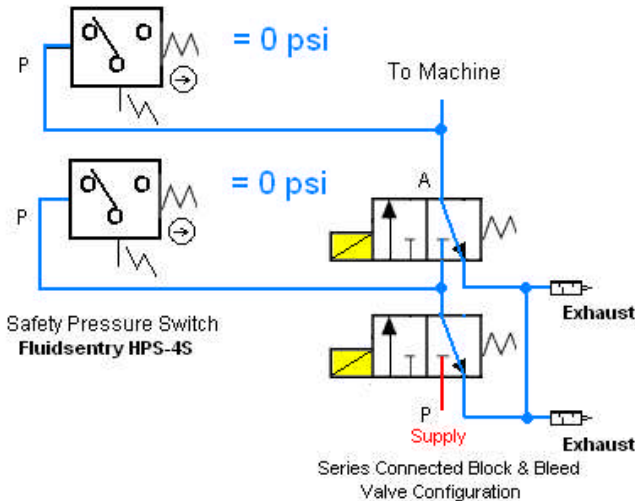
**Fluidsentry™**

Specialists in Fluid Power Safety

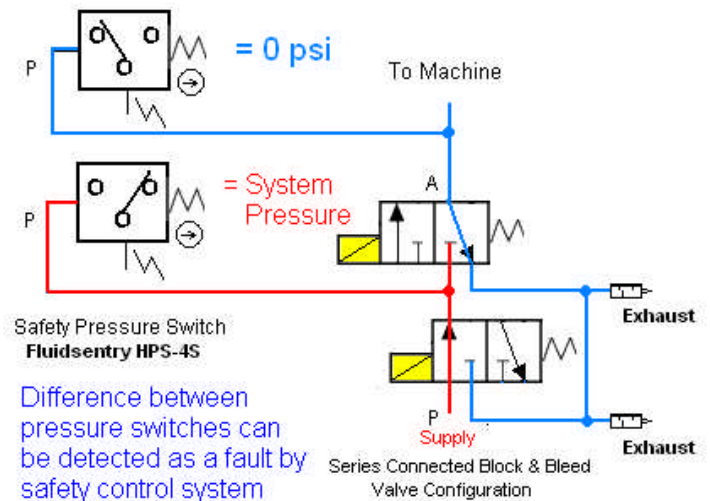
# POTENTIAL UNDETECTED FAULTS WITH REDUNDANT PRESSURE SWITCHES

When used with series connected dual block and bleed Valve systems

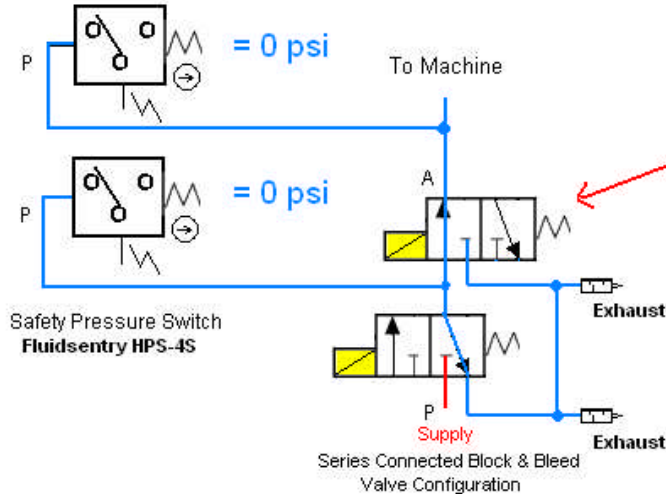
## 1 - Both Valves De-energised



## 2 - Secondary Valve De-energised, Primary Valve Fails To Close.



## 3 - Primary Valve De-energised, Secondary Valve Fails To Close.



Single Valve Fault will always go undetected as both pressure switches indicate 0 Psi

An accumulation of faults could lead to a loss of the safety function with this circuit. To detect faults as far as is practicable monitored valves certified to EN954-1 should be used