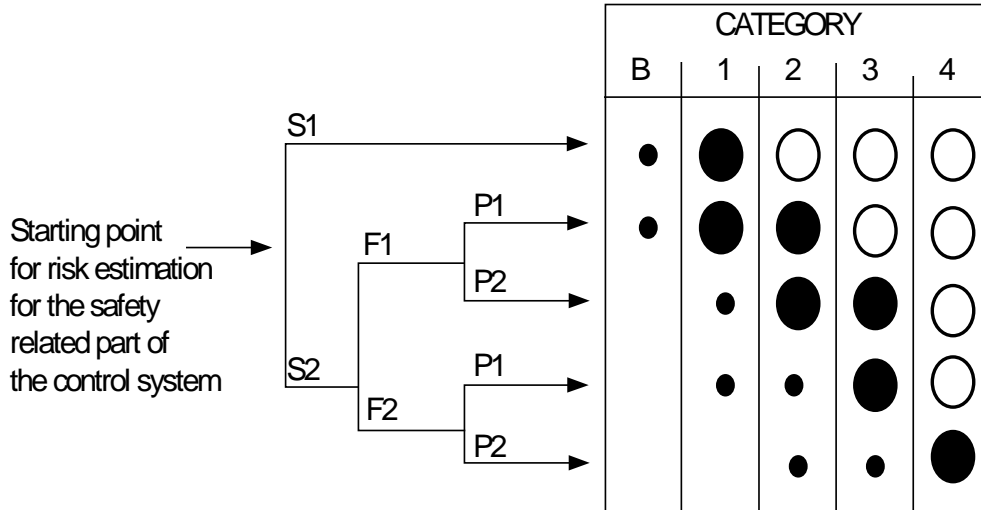


SELECTION/ASSESSMENT OF SAFETY RELATED PARTS OF CONTROL SYSTEMS IN ACCORDANCE WITH AS4024.1 / EN954-1



LEGEND

S Severity of injury

S1, Slight (normally reversible) injury

S2, Serious (normally irreversible) injury, including death

F Frequency of exposure and/or exposure time to the hazard

F1, Seldom to quite often and/or the exposure time is short

F2, Frequent to continuous and/or the exposure time is long

P Possibility of avoiding the hazard

P1, Possible under specific conditions

P2, Scarcely possible

B, 1 - 4, categories for safety related parts of control systems

(See Table 2 of EN954.1-1997 or Table 10.3 of AS4024.1 for further details)

