



Fluidsentry™
Monitored Valves

Hydraulic and Pneumatic Pressure Monitor Range

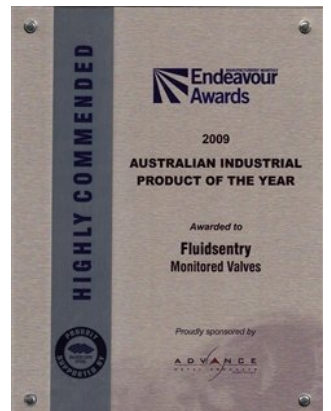


***AUSTRALIAN DESIGNED AND BUILT
SUITABLE FOR CATEGORY 4 APPLICATIONS***

EN 954-1 & AS4024.1

Applications: Safety pressure monitoring, confirmation of accumulator bleed off for guard access preconditions, back pressure detection and process control.

Fluidsentry Pty Ltd
P.O.Box 8135
(1 / 32 -34 Frankston Gardens Drive)
Carrum Downs Victoria 3201 Australia
Ph: +61 (0)3 9776 4352 - Fax: +61 (0)3 9776 4372
e-mail: sales@fluidsentry.com
www.fluidsentry.com

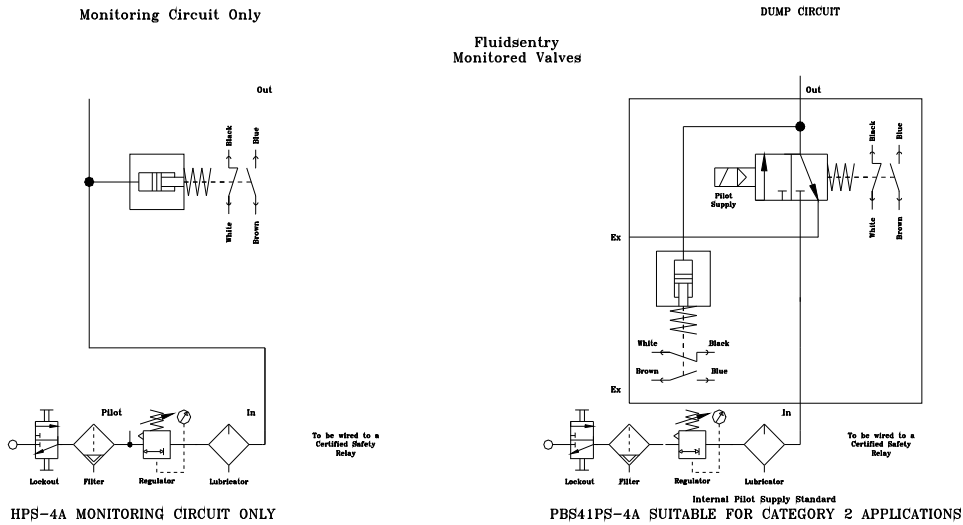


Fluidsentry™

MONITOR SPECIFICATIONS

Description:	Safety pressure monitors have been design to interface into new or existing safety systems where residual pressure must be depleted. The monitors consist of a non-adjustable preset between 3 & 6 psi switchover on depressurization and 15psi switchover on rising pressure. The pressure monitor incorporates a two-pole positive driven plunger type switch, with positive opening contact pre-approved to category 4 safety applications. A single pressure monitor is suitable for category 2 applications when used in conjunction with another safety function or two independent units are suitable for pressure monitoring in category three or four applications.		
Models:	Single monitor Single monitor	HPS-4A HPS-4S	(Aluminium 200 Bar) (Steel 340 Bar)
Materials:	Main body: Piston housing: Piston: Glide Seal: Energizer Seal: Return spring: Piston Housing Seal: Screws: Lubricant:	Aluminium or Steel Steel Aluminium Bronze PTFE Nitrile Rubber Mild Steel Nitrile rubber Cap Screws M8X20 Molykote 55M	
Switch Point:	Normally closed contact (Black/White)	3-6psi (20-40kPa)	
Switch:	Make: Model: Type: Approvals: Contacts:	Bernstein C2-U1Z (600.8101.001) Plunger En 60947-1, EN 60947-5-1, VDE 0660/100/200 1 x Normally Open, 1 x Normally closed	
Wiring:	Switch Terminals:	Normally Closed 11 – 12 White – Black Normally Open 21 – 22 Brown – blue	
Coil:	Voltages available: Power Consumption @ 24VDC	24vdc Cetop 3 30 Watts Cetop 5 36 watts	
Performance:	Valve working pressure range: Single monitor port connection: Medium: Operating temperature range:	0-200 Bar (Aluminum) 0 – 340 Bar (Steel) 1/4” BSP Compressed air filtered & lubricated or Hydraulic -5 C to +50 C	
Rating:	Protection:	IP 65	
Approvals:	Low Voltage Directive: EMC Directive: Machinery Directives:	73/23/EEC – EN 60204. 89/336/EEC – EN 55014, EN 50081-2, EN 50082-1, EN 50082-2, IEC 1010, IEC 950. 98/37/EC – EN 292-1, EN 292-2, EN 983, EN 954-1, EN 10.	
Manual:	Manual Override:	Removed	

Pneumatic Connection

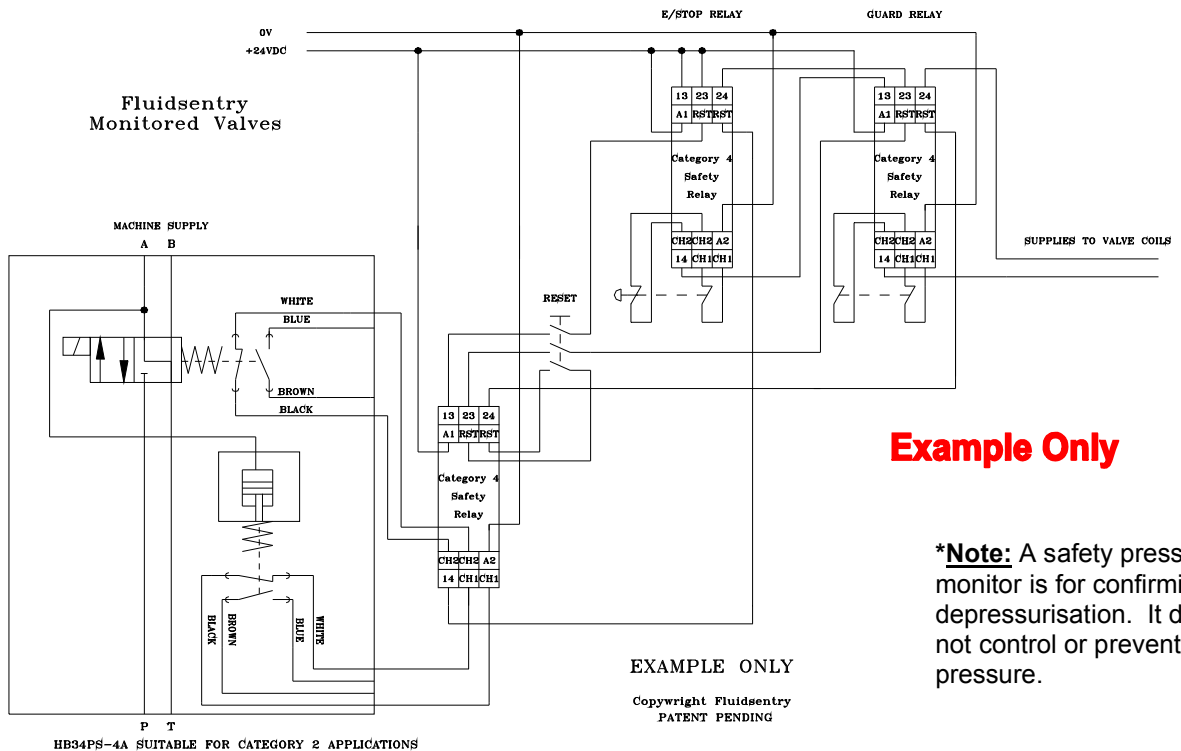


EXAMPLE ONLY
Copyright Fluidsentry
PATENT PENDING

Example Only

** Valves should be cycled a minimum once for every 8 hours of continual operation

Electrical Interlocking/Interfacing



Example Only

***Note:** A safety pressure monitor is for confirming depressurisation. It does not control or prevent pressure.

EXAMPLE ONLY
Copyright Fluidsentry
PATENT PENDING

CAUTION – IMPORTANT: The above drawings are a conceptual example and are intended for guidance purposes only. They have not been specifically drawn in relation to your plant. Failing to ensure professional installation of Fluidsentry equipment which has regard to the specific circuit design and operation of the plant on which it is being installed may create a safety hazard. Accordingly Fluidsentry is not liable for loss or injury, whether direct or indirect, resulting from the incorrect installation of this product.